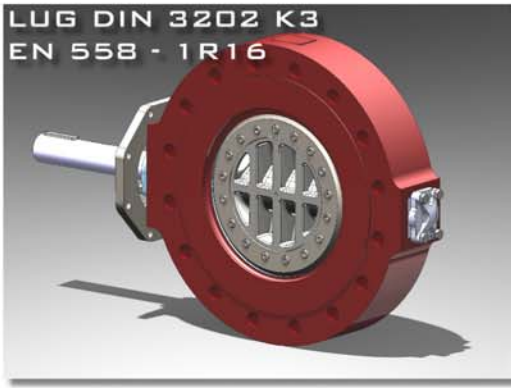
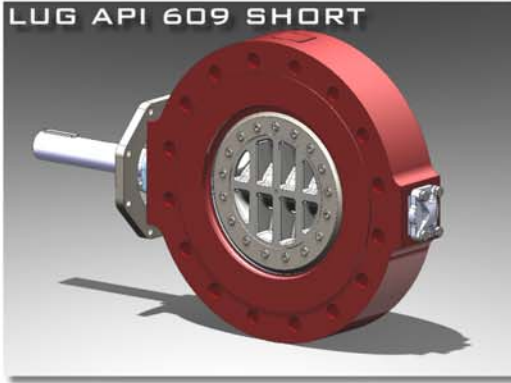


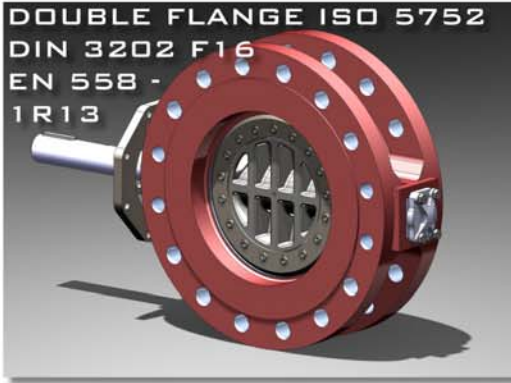
LUG DIN 3202 K3
EN 558 - 1R16



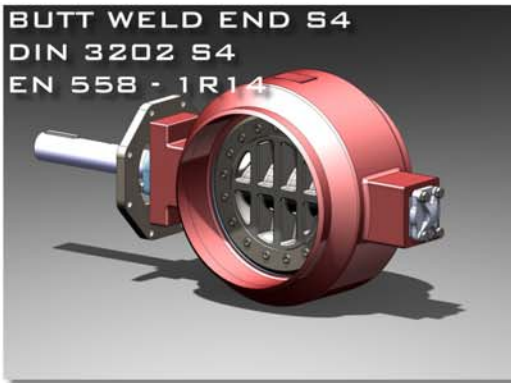
LUG API 609 SHORT



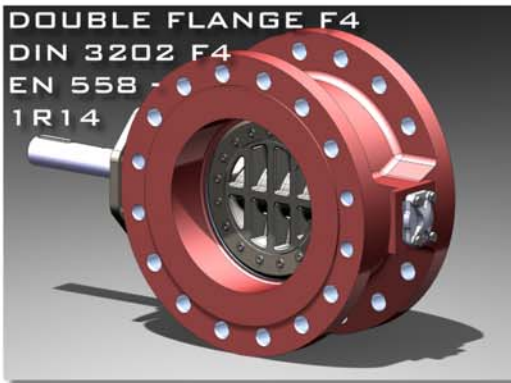
DOUBLE FLANGE ISO 5752
DIN 3202 F16
EN 558 - 1R13



BUTT WELD END S4
DIN 3202 S4
EN 558 - 1R14



DOUBLE FLANGE F4
DIN 3202 F4
EN 558 - 1R14



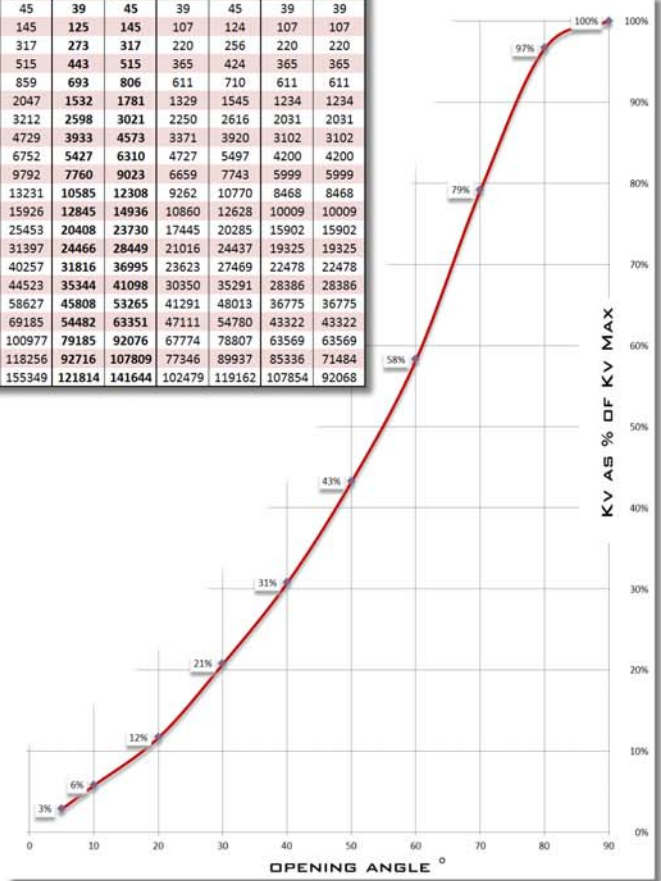
V-AXX®

5-OFFSET BUTTERFLY VALVE

Pressure ratings PN	10, 16, 25, 40, 63, 100, 160 and above
Pressure ratings ANSI	150, 300, 600, 900 and above
Nominal sizes DN	50 – 2000 mm
Nominal sizes	2" – 84"
Max Delta P	56bar standard Option 100bar, 160 bar
Max Delta P	#300 standard fully rated, Option fully rated #600, #900
Leakage rate	zero leakage in both directions EN 12266, DIN 3230, BS 6364, API 607 4th
Materials	steel, stainless, bronze, high alloys
Temperature	Standard: -10°C to 450°C / 14°F to 842°F Option: -270°C to 1800°C / -454°F to 3272°F
Flow direction	preferred direction marked with arrow
Certificates	3.1, PED, ATEX, SIL, Fire Safe, EAC, etc.

KV MAX (M³/H) / CV MAX (GAL/MIN)

DN mm	Size inch	Trim A		Trim X		Trim B		Trim C	
		m ³ /h	gal/min	m ³ /h	gal/min	m ³ /h	gal/min	m ³ /h	gal/min
50	2	39	45	39	45	39	45	39	39
80	3	125	145	125	145	107	124	107	107
100	4	273	317	273	317	220	256	220	220
125	5	443	515	443	515	365	424	365	365
150	6	739	859	693	806	611	710	611	611
200	8	1760	2047	1532	1781	1329	1545	1234	1234
250	10	2762	3212	2598	3021	2250	2616	2031	2031
300	12	4067	4729	3933	4573	3371	3920	3102	3102
350	14	5807	6752	5427	6310	4727	5497	4200	4200
400	16	8421	9792	7760	9023	6659	7743	5999	5999
450	18	11379	13231	10585	12308	9262	10770	8468	8468
500	20	13696	15926	12845	14936	10860	12628	10009	10009
600	24	21890	25453	20408	23730	17445	20285	15902	15902
700	28	27001	31397	24466	28449	21016	24437	19325	19325
750	30	34621	40257	31816	36995	23623	27469	22478	22478
800	32	38290	44523	35344	41098	30350	35291	28386	28386
900	36	50419	58627	45808	53265	41291	48013	36775	36775
1000	42	59499	69185	54482	63351	47111	54780	43322	43322
1200	48	86840	100977	79185	92076	67774	78807	63569	63569
1400	56	101700	118256	92716	107809	77346	89937	85336	71484
1600	62	133600	155349	121814	141644	102479	119162	107854	92068



ABMESSUNGEN / DIMENSIONS [mm] (BOAP) LUG API 609 SHORT

DN - Size	50 (2")	65 (2,5")	80 (3")	100 (4")	125 (5")	150 (6")	200 (8")	250 (10")	300 (12")	350 (14")	400 (16")	450 (18")	500 (20")	600 (24")
A	109	132	132	161	190	208	245	282	312	336	386	406	443	546
B1	200	223	223	287	325	348	420	459	485	605	674	705	749	850
C1	95	95	95	125	135	145	180	180	180	280	289	300	309	320
B2	156	179	179	230	258	271	325	364	390	498	555	575	599	700
C2	51	51	51	68	68	68	85	85	85	173	170	170	159	170
F ANSI150	158	190	190	230	254	280	352	405	485	550	597	640	700	815
F ANSI300	158	210	210	254	280	320	380	445	521	585	660	710	770	908
G ANSI150	44	48	48	54	58	60	67	74	84	95	105	117	130	157
G ANSI300	44	48	48	54	59	62	73	83	92	117	133	149	159	181
H	26	30	30	33	45	45	45	51	64	85	99	100	100	120
ISO pad	F07	F07	F07	F10	F10	F10	F16	F16	F16	F25	F30	F30	F35	F35
				F14	F14	F14								
J	3	3,5	3,5	3,5	3,5	5	5	5	5,5	6	7	7,5	7,5	9
K	5	6	6	6	6	10	10	12	14	16	18	20	20	25
N	14	18	18	20	22	32	32	40	45	55	65	70	75	90

GEWICHTE / WEIGHTS [kg] (BOAP) LUG API 609 SHORT

DN - Size	50 (2")	65 (2,5")	80 (3")	100 (4")	125 (5")	150 (6")	200 (8")	250 (10")	300 (12")	350 (14")	400 (16")	450 (18")	500 (20")	600 (24")
ANSI150	9	14	14	23	30	35	62	102	131	199	307	321	440	666
ANSI300	9	15	15	25	34	44	72	121	153	243	358	437	567	859

Technical data subject to changed without notice

